

# Powerdot MIDI

□ 935-PM61W

■ 935-PM61



**A** - Removable installation

**B** - Permanent installation

## CONTENT:



x1



x1



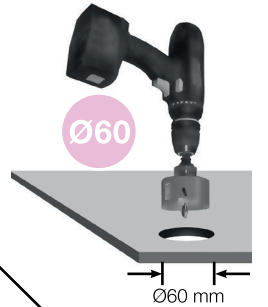
x2



- 1 **USB Charger**  
(QC2.0: 5V 2A /  
9V 1.2A / 12V 1A)

- 1 **Schuko socket**  
/w 1250 mm cable

**1A** DRILL  
Drill a hole  
in the table



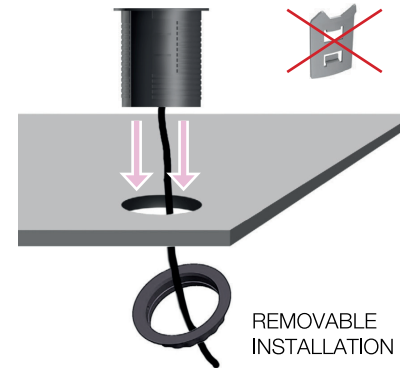
REMOVABLE  
INSTALLATION

**1B** DRILL  
Drill a hole  
in the table

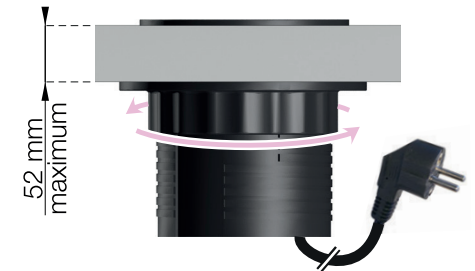


PERMANENT  
INSTALLATION

**2A** INSERT  
Insert Powerdot into the hole and  
feed the power plug through the  
plastic fastening nut (without using  
the cable clips).

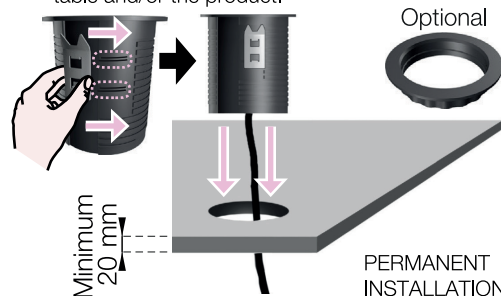


**3A** TURN CLOCKWISE & PLUG IN  
Turn the plastic fastening nut as far  
up the thread as possible. Make sure  
it has been thoroughly tightened.  
Lastly, plug it in to the wall socket.



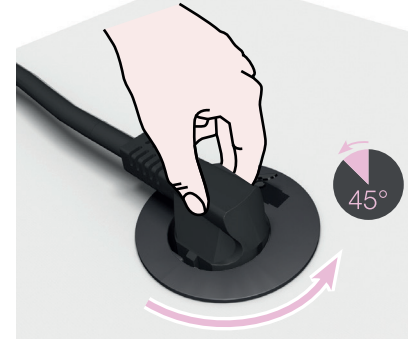
**2B** ATTACH & INSERT (NON REMOVABLE)  
Attach clips by guiding them into the side  
tracks. The clips will keep the product in  
place without the fastening nut. Push the  
Powerdot all the way down the hole. Lastly,  
plug it in to the wall socket.

**NOTE!** Once inserted, removing the product will  
prove to be very difficult without damaging the  
table and/or the product.

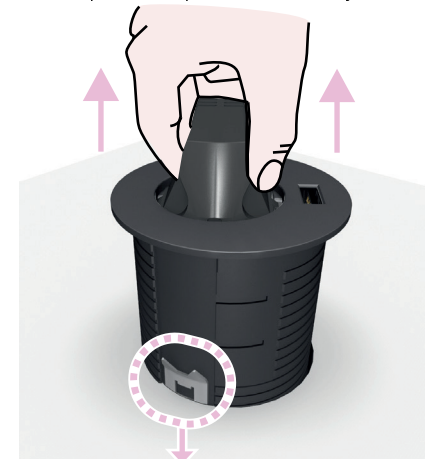


**HOW TO REMOVE (WITH CLIPS)**  
To increase your chances of  
removing once installed with clips,  
turn the grommet clockwise. Until  
the clips re-position and loosen up.

**NOTE!** The table or product might get  
damaged during the process.



**PULL UPWARDS**  
If you successfully loosened up the  
clips. Pull upwards until fully removed.



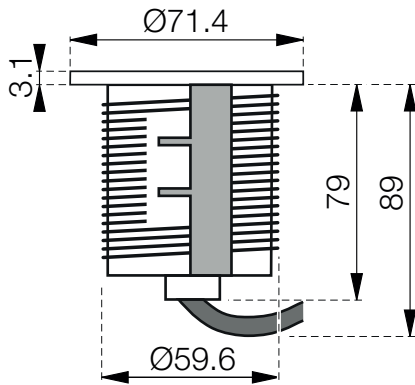


□ 935-PM61W

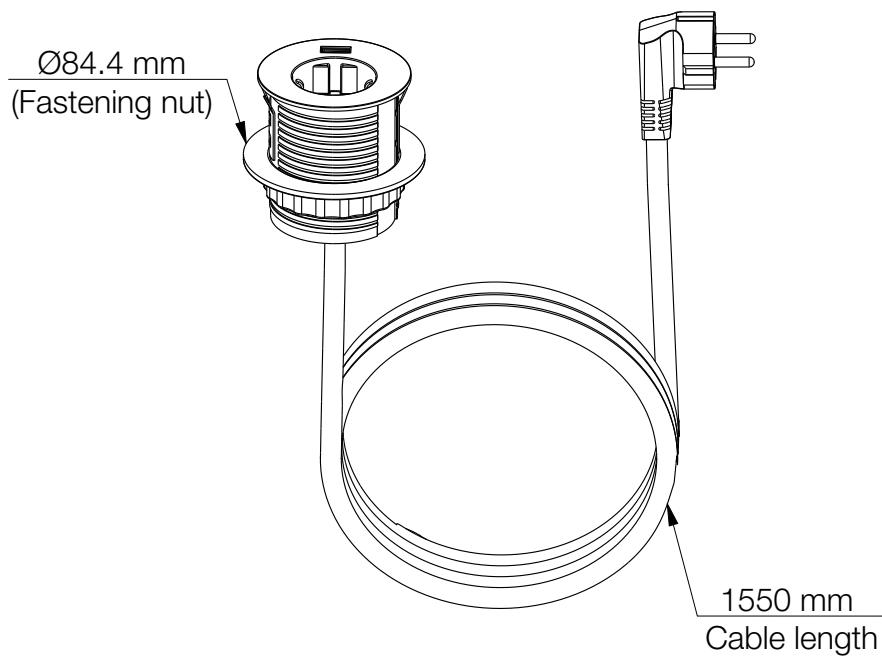
■ 935-PM61

## Powerdot MIDI - 1 Power, 1 USB Charger

### Front View (Grommet)



### Oriented view (Grommet, nut & cable)



Maximum table thickness:  
Recommended hole cut:

52 mm  
Ø60 mm

Revised  
191106