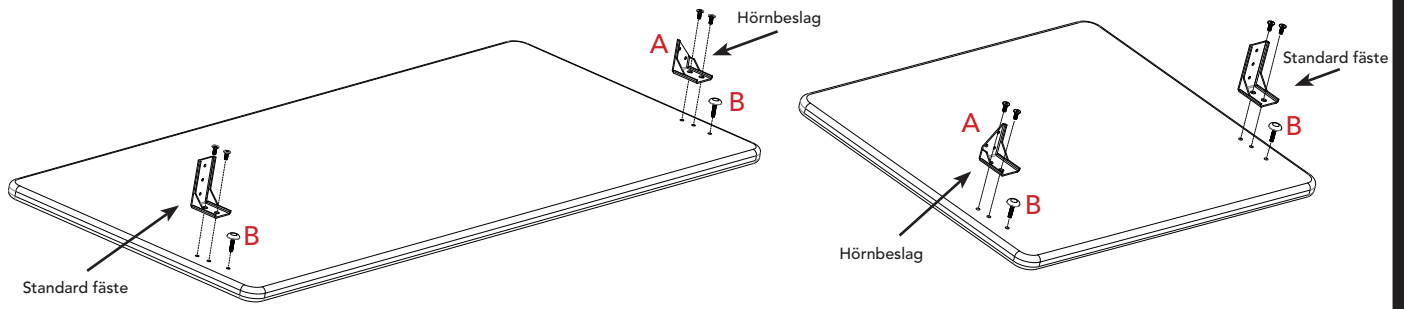
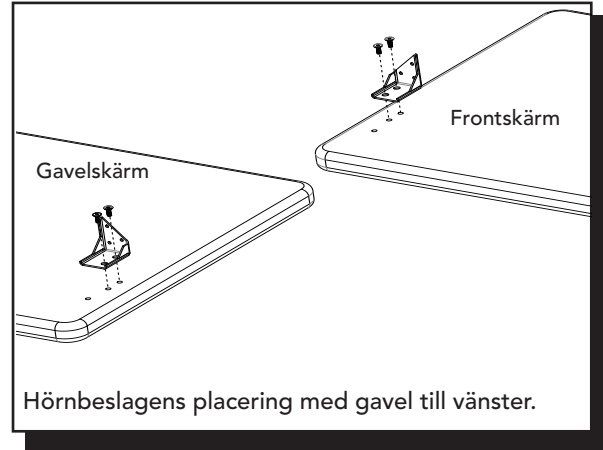
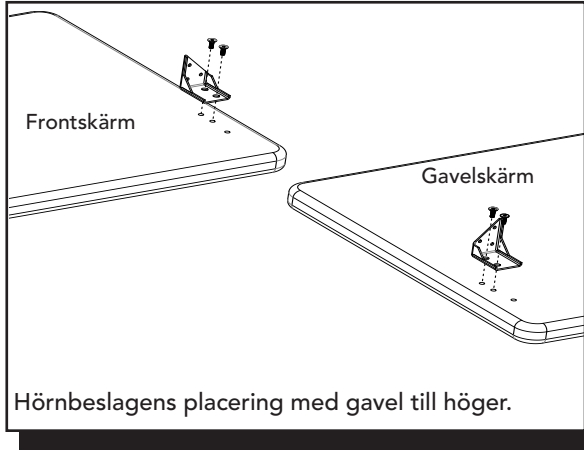


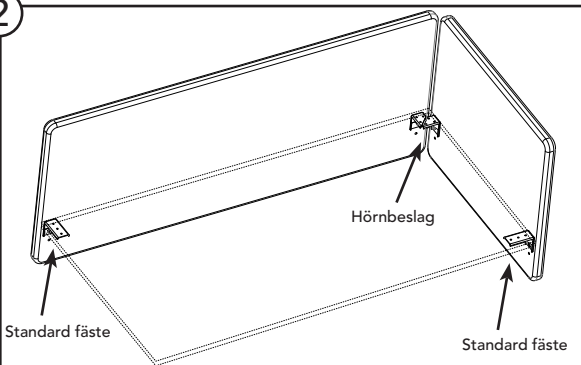
1



Skruva fast fästena i bordsskärmen. Placeringen av hörnbeslagen beror på vilken sida gavelskärmen skall vara (se nedan). Det går att montera ett justerbart Halfpipe direkt på skärmen. Om inte skruva i skruv B i monteringshålet.

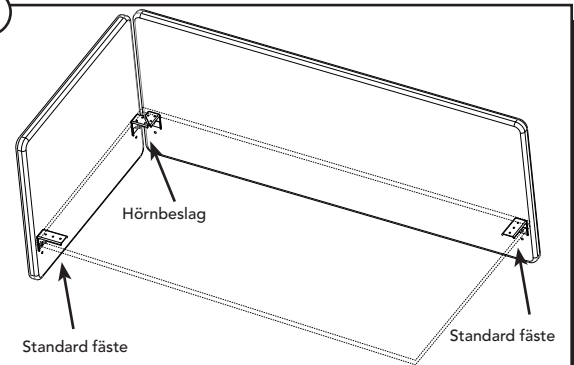


2



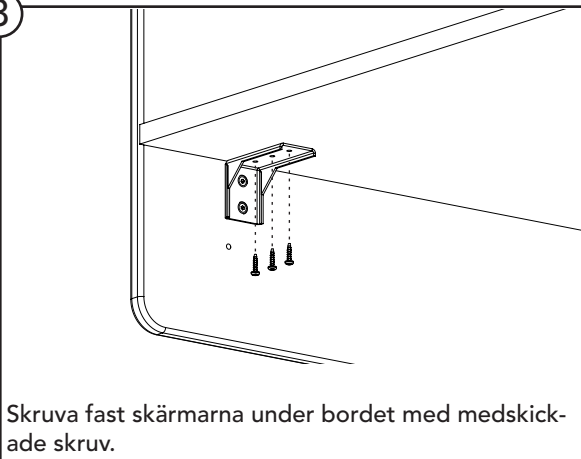
Vid gavel till höger skruvas skärmarna upp enligt bild.

2

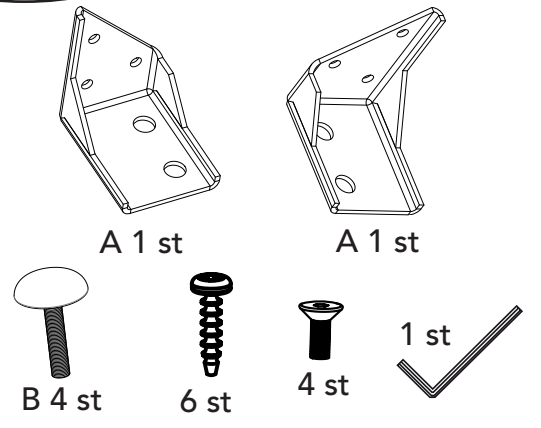


Vid gavel till vänster skruvas skärmarna upp enligt bild.

3



Innehåll



1

Standard Desk mount

Corner fittings

Standard Desk mount

Corner fittings

Screw the brackets to the table screens. The location of the corner fittings will depend on which side the side screen should be (see below). You can install an adjustable Halfpipe directly on the screen. If not, screw in screw B in the mounting hole for Halfpipe.

Frontscreen

Sidescreen

Corner mount placement with side screen to the right.

Sidescreen

Frontscreen

Corner mount placement with side screen to the left.

2

Standard Desk mount

Corner fittings

Standard Desk mount

With side screen to the right, place the screens as shown.

2

Standard Desk mount

Corner fittings

Standard Desk mount

With side screen to the left, place the screens as shown.

3

Screw the screens under the table with the enclosed screws.

Content

A 1 pcs

A 1 pcs

B 4 pcs

6 pcs

4 pcs

1 pcs