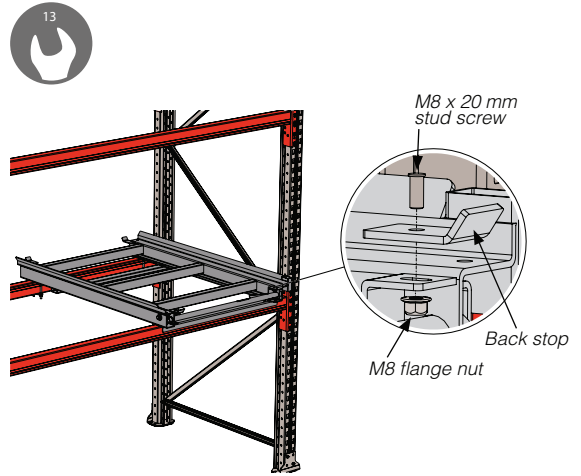
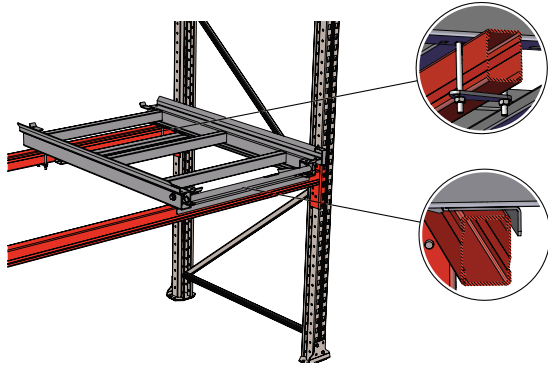
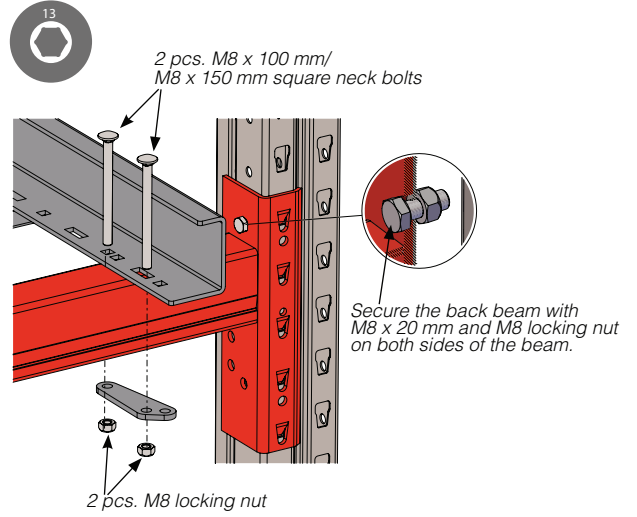
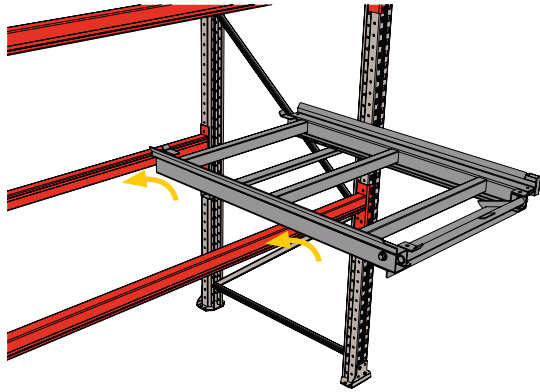



Pull out unit - Beam mounted



 The screws at the rear edge of the pull-out units should clamp around the rear beam. The front flange of the pull out unit should not be flush against the front beam.

Pull out unit - Floor mounted

